

## PT6 FUEL NOZZLE PIECE PARTS

| PT6A-Model | Item 1<br>Nozzle Tip | SPQ | Item 2<br>Washer, Key | SPQ | Item 3<br>Gasket | SPQ | Item 4<br>Gasket | SPQ | Item 5<br>Transfer Tube | SPQ | Item 6<br>Packing | SPQ | Item 7<br>Bolt | SPQ | Item 8<br>Sheath | SPQ |
|------------|----------------------|-----|-----------------------|-----|------------------|-----|------------------|-----|-------------------------|-----|-------------------|-----|----------------|-----|------------------|-----|
| -27/28     | 27700-2              | 1   | 3005305WE             | 10  | -                |     | CA3029566        | 14  | CA3011155               | 1   | AS3209-009        | 10  | MS9574-05      | 5   | 3120869-01PI     | 1   |
| -34        | 27700-2              | 1   | 3005305WE             | 10  | -                |     | CA3029566        | 14  | CA3011155               | 1   | AS3209-009        | 10  | MS9574-05      | 5   | 3120869-01PI     | 1   |
| -41/42     | 27700-4              | 1   | 3005305WE             | 10  | -                |     | MS9371-16        | 10  | CA3011155               | 1   | AS3209-009        | 10  | MS9574-05      | 5   | 3120869-01PI     | 1   |
| -60A       | 27700-5              | 1   | 3005305WE             | 10  | -                |     | MS9371-16        | 10  | CA3011155               | 1   | AS3209-009        | 10  | MS9574-05      | 5   | E3119920-01      | 1   |
| -65B       | 58260-1HL            | 1   | 3119854-01WE          | 1   | 3039636          | 1   | MS9371-16        | 10  | CA3011155               | 1   | AS3209-009        | 10  | -              |     | E3119920-01      | 1   |
| -67B       | 58260-1HL            | 1   | 3119854-01WE          | 1   | 3039636          | 1   | MS9371-16        | 10  | CA3011155               | 1   | AS3209-009        | 10  | -              |     | E3119920-01      | 1   |
| -67D       | 58260-1HL            | 1   | 3119854-01WE          | 1   | 3039636          | 1   | MS9371-16        | 10  | CA3011155               | 1   | AS3209-009        | 10  | -              |     | E3119920-01      | 1   |
| -114A/135A | 27700-2              | 1   | 3005305WE             | 10  | -                |     | CA3029566        | 14  | CA3011155               | 1   | AS3209-009        | 10  | MS9574-05      | 5   | 3120869-01PI     | 1   |

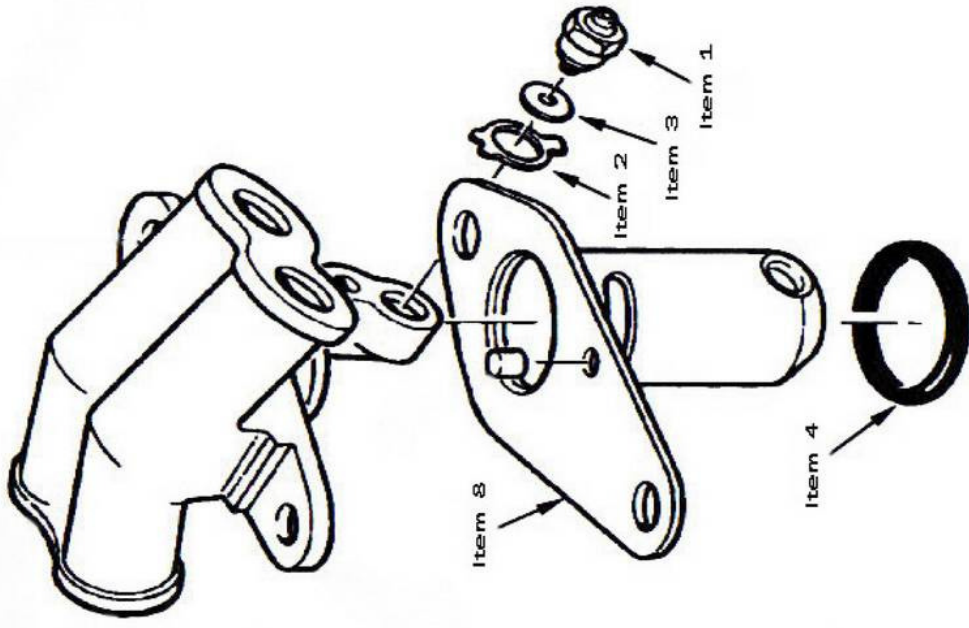
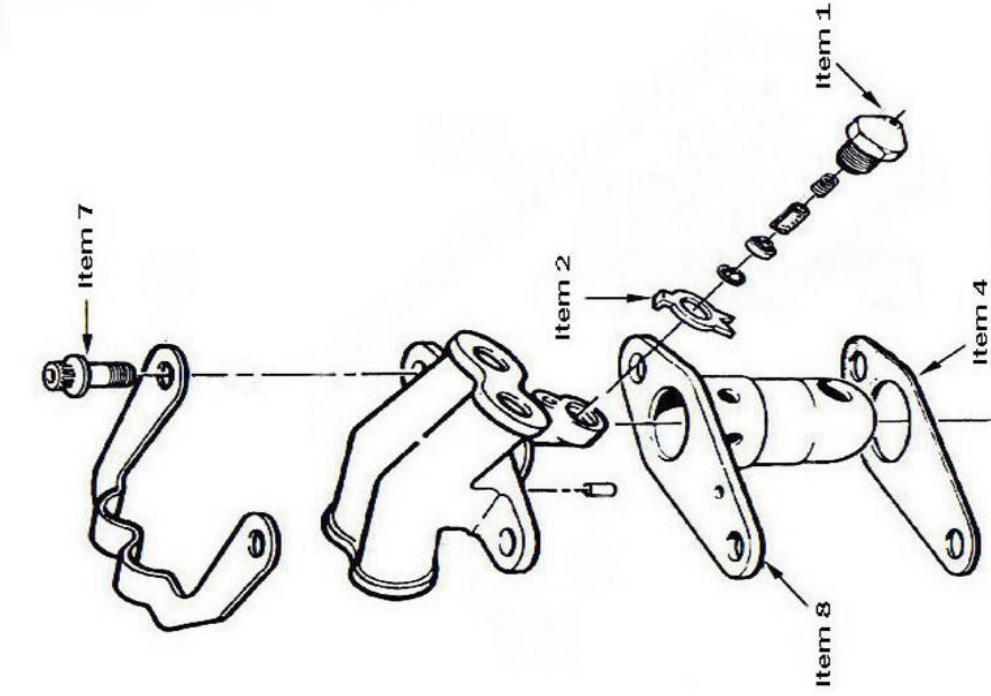
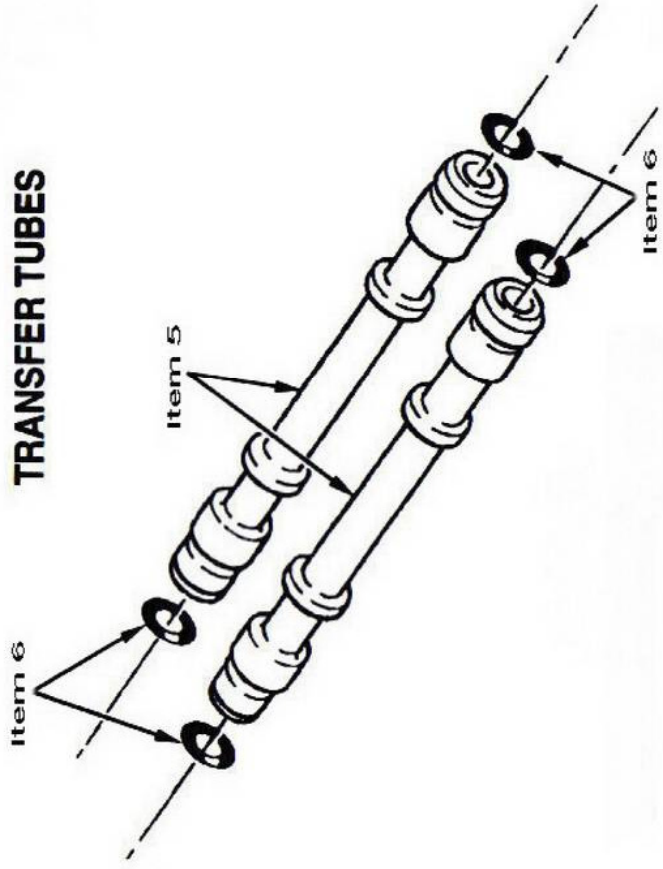
NOTES:

|                  |   |
|------------------|---|
| P/N 27700-2      | is a PMA approved alternate to P/N 3010036    |
| P/N 27700-4      | is a PMA approved alternate to P/N 3019424    |
| P/N 27700-5      | is a PMA approved alternate to P/N 3017957    |
| P/N 58260-1HL    | is a PMA approved alternate to P/N 3038495    |
| P/N CA3029566    | is a PMA approved alternate to P/N 3029566    |
| P/N CA3011155    | is a PMA approved alternate to P/N 3011155    |
| P/N 3120869-01PI | is a PMA approved alternate to P/N 3120869-01 |
| P/N E3119920-01  | is a PMA approved alternate to P/N 3119920-01 |

\* These are Goodrich Turbine Fuel Technologies' (Delavan) part numbers. Goodrich TFT is one of the manufacturers of the nozzle tips for P&WC. They are not allowed to sell their PMA approved nozzle tips in NEW condition and they are therefore sold as OVERHAULED.

For cleaning fuel nozzles, we stock a product that is equivalent to ARDROX 185 (PWC11-049). The P/N is ARR and is a can of 1Kg powder with which a caustik solution can be prepared per the MM.

## TRANSFER TUBES



Parts used for engine types:  
PT6A-27, -28, -34, -41, -42,  
-114A, -135A

Parts used for engines types:  
PT6A-60A, -65B, -67B, -67D