



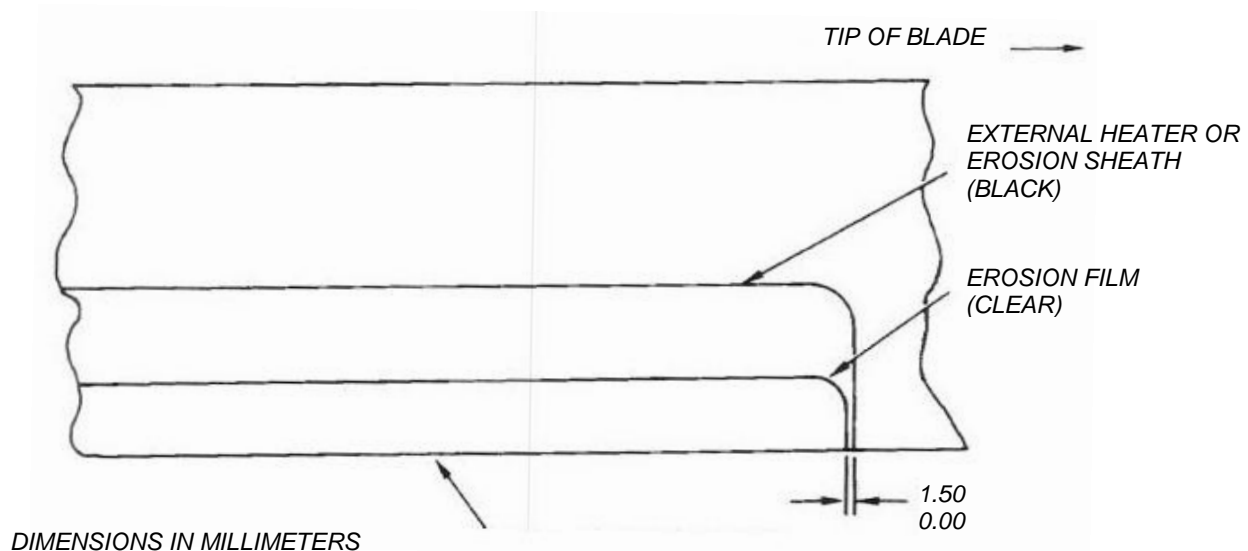
## ATR42/72 & DHC8 Propeller Blade Erosion Film

As and when you want/need to replace the Erosion Film, you have a choice of 3 alternatives to buy the new Erosion Film.

1. Order Hamilton Sundstrand part number 792214-1. This is a strip of film (tape), 2 Inches wide and 34,90 Inches long. It is ready to attach to one blade and it costs roundabout \$250,00 ( 2017 HS prices ).
2. Order Hamilton Sundstrand part number 814761-1. This is a roll of film (tape), 4 Inches wide and 36 yards long. This you can cut in a total of 36 strips which can be halved into 72 ea 2-inch wide strips and consequently enough for 72 blades. The price for the roll is roundabout \$3900.00 (2017 HS prices) or approximately \$55.00 per blade. Quite a saving compared to alternative 1!
3. Order part number 8681HS-2 from EMTC. This is a roll of film (tape), 2 inches wide and 36 yards long and consequently enough for 36 blades. Our price for a roll of this tape ( at 2017 prices ), will cut the price per blade to about a quarter of the \$55.

The 8681HS is a 3M tape and the part number is referenced in Hamilton Sundstrand's Component Maintenance Manual 792000 so it is safe to use.

Below is an extract from the MM, showing the dimensions of the finished erosion film and how to apply it to the blade, dimensions now in millimetres.



Cut the erosion film to

- Length =  $886.5 \pm 3$ mm
- Width =  $50.8 \pm 3$ mm
- Radius =  $12.7 \pm 3$ mm